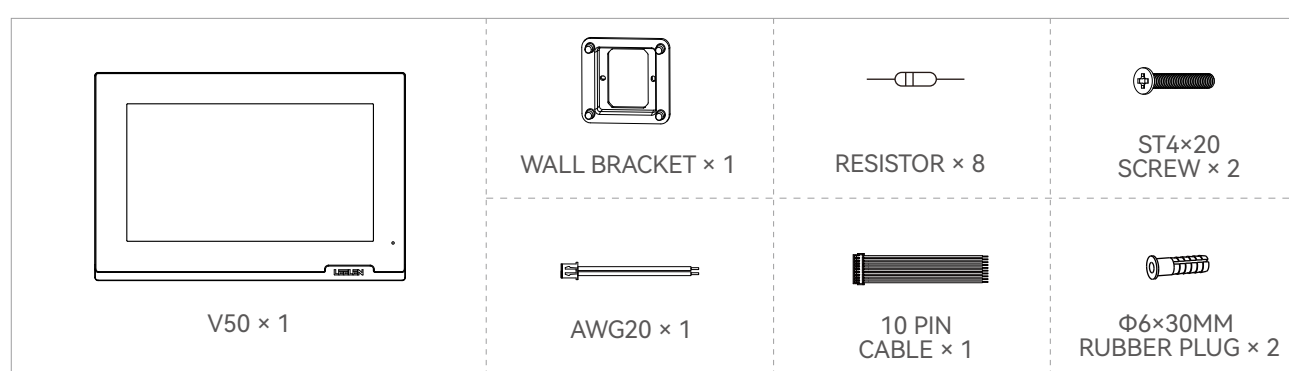
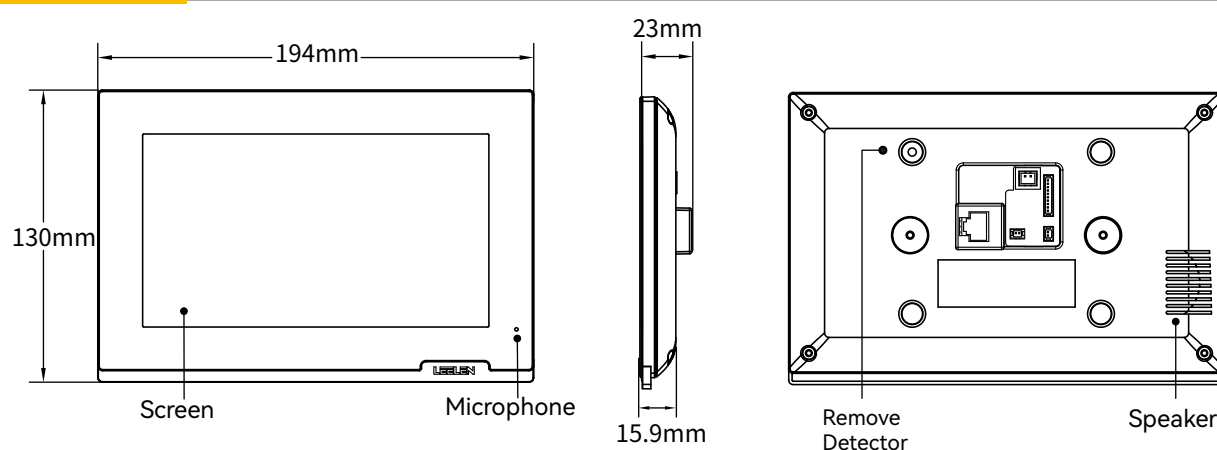


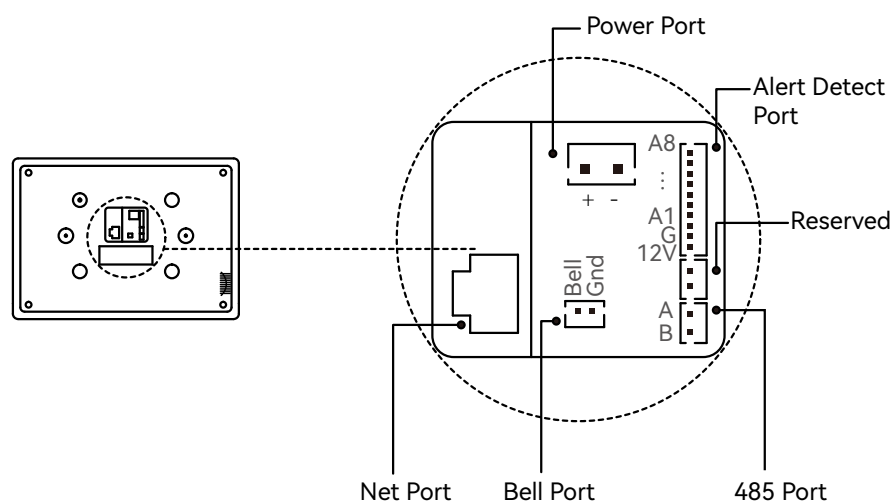
Unpacking



Product overview

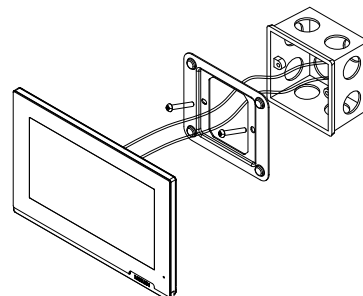


Terminal and Wiring



Installation

1. Fix the hanging board on the 86 box using screws.
2. Fit the device onto the hanging board after wiring is completed.
3. Device installation completed.



Ordering Information

model	description
EH-IS-V50-ENL03	Wi-Fi Indoor Monitor (Black)
EH-IS-V50-ENL04	Wi-Fi Indoor Monitor (White)

Configuration

- **Address set:** Go to the path: Project Settings -> address page to set the IP address and Own No. etc.
- **Monitor set:** Go to the path: Project Settings -> Monitor page to set the device number of the door station to be monitored.
- **Security set:** Go to the path: Project Settings -> Security page to set detailed application type data of 8 alarm zones.

Operation

- **Make a call:** Input the device number, press dial key to make a call.
- **Receive a call:** Press answer button on the incoming interface to pick up the incoming call.
- **Monitor:** Press video monitoring icon to receive the video from IPC any time.

Notice Information

Information contained in this document is believed to be accurate and reliable at the time of printing. The document is subject to change without notice, any update to this document can be viewed on Leelen's website.

Copyright © 2022 Xiamen Leelen Technology Co.,Ltd. All Rights Reserved.